

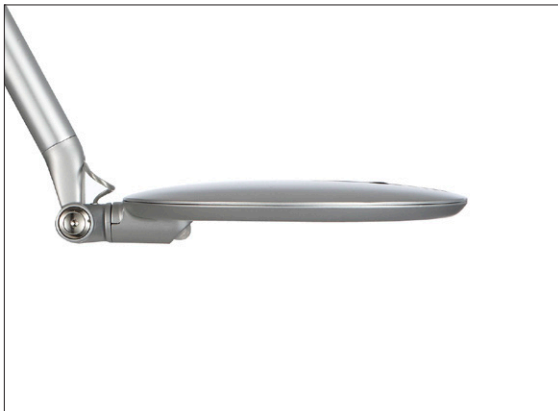


## *element DISC™*

// The industry called for a future-forward light; we saw an opportunity to marry high-performance LED lighting with ultimate simplicity. //

**Kelly Ann Rockwell** Design Engineer

From its chic, futuristic looks to its next-generation technology, Element Disc is ahead of its time and ahead of its class. Utilizing innovative Thin Film LED Technology™, Disc offers seven levels of dimmability with just an effortless “pinch” of the light head. And taking advanced LED technology to a new level of sustainability, Disc features an occupancy sensor that turns the unit on or off when the user enters or leaves the area. When not in use, Disc folds into a compact nesting position, with the form of the lamp head gracefully echoing that of the base.



## Features

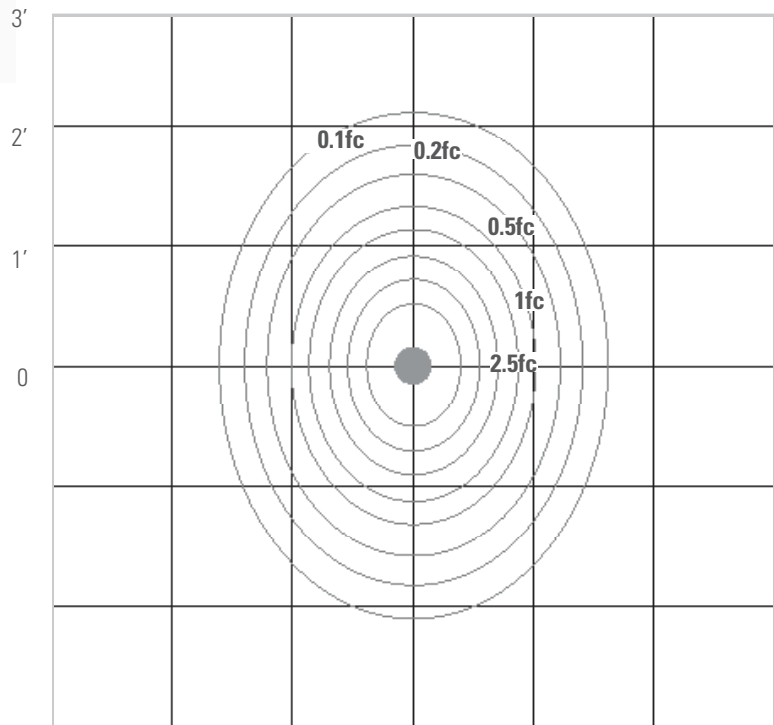
- Revolutionary Thin Film LED Technology produces an ultra-wide footprint of glare-free light
- PIR occupancy sensor automatically turns the unit off when not in use, and back on when the user returns
- Dimmer switch provides seven adjustable illumination levels for energy-efficiency and ergonomic function
- Unique design maximizes light output and increases the light's usable life
- Smart dimming memory saves the last selected lighting level, even after the light has been shut off
- Even plane of illumination casts just one shadow
- Perfect internal counterbalance provides effortless, one-touch positioning
- Slender, futuristic form folds into a compact nesting position
- Replaceable head assembly allows for in-field repairs
- 20 mounting options suit virtually any work environment
- Universal power supply and interchangeable plug options accommodate global power outlets
- Sustainable design can contribute to the achievement of valuable LEED credits



## Specifications

- Lumen output: 330 lumens
- Power consumption: 7 watts
- Color Temperature: 3000K
- Color Rendering Index: 80
- Lifespan: Up to 50,000 hours
- ETL/cETL certified and CE pending
- RoHS/WEEE compliant
- Maximum reach: 28" (710 mm)
- Working height: 18" (455 mm)
- Finish options: White, Silver

## Photometric Performance: Values Based on 24" (610 mm) Mounting Height



**LED lighting facts**  
A Program of the U.S. DOE

Light Output (Lumens)	330
Watts	7
Lumens per Watt (Efficacy)	47

Color Accuracy Color Rendering Index (CRI)	80
---	----

Light Color Correlated Color Temperature (CCT)	3000 (Bright White)
---	---------------------

Warm White      Bright White      Daylight  
2700K      3000K      4500K      6500K

All results are according to IESNA LM-79-2008: Approved Method for the Electrical and Photometric Testing of Solid-State Lighting. The U.S. Department of Energy (DOE) verifies product test data and results.

Visit [www.lightingfacts.com](http://www.lightingfacts.com) for the Label Reference Guide.

Registration Number: 2VC4-MHJGFA (7/20/2012)  
Model Number: Element Disc  
Type: Portable desk lamp

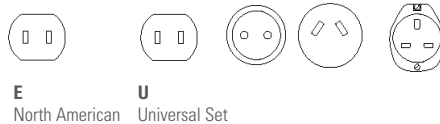
## Ordering Guide

Element Disc Product Code:

Style    Plug    Mount    Finish

EC    -    -    -

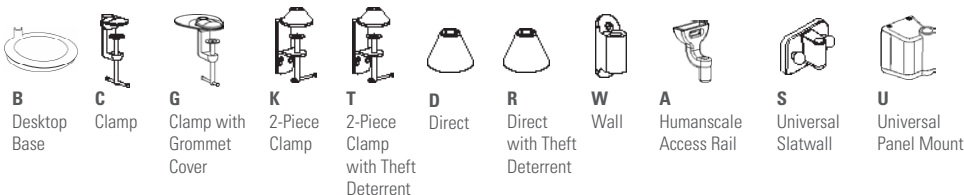
## Plug



## Finish



## Mount



Creating a more comfortable place to work