

# SINGLE/DUAL SYSTEMS

**Simplicity and expandability, all in one.**

## “Quick Release” Pivot

Mounts provide easy, one-step mounting and dismounting of monitors.

## Exclusive Design

Expanding arm folds back out of the way, crucial in back-to-back deployments and work station cubicles.

## Height Adjustment

Position the monitors to any height for proper ergonomic alignment.

## Multi Adjustment Pivot

Effortless monitor positioning, left/right up/down, for both landscape and portrait views.

## Flexible Design

Scalable, interchangeable components can be used to expand the system.

## Mounting Options

Provides stable support for slatwall flush, grommet, and desk clamp mounts.

**200-S16-B02  
Double Horizontal  
(Shown here)**

## Product Highlights

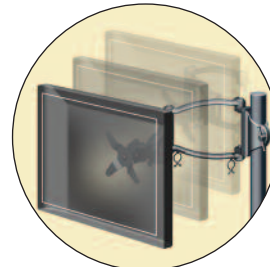
- Mounts 1 to 2 monitors quickly and cost effectively.
- “Quick Release” pivot mounts.
- “Tool-less” design.
- Arm nests flush without interference in back-to-back situations.
- Quick set-up, installation and adjustment.
- Cable management system.

## Product Specifications

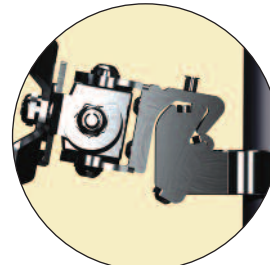
- Pivots 20° up/10° down for each monitor
- 75mm and 100mm VESA® compatible
- Holds monitors up to 25 lbs. each
- Lifetime Warranty

## Product Options

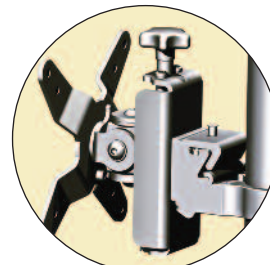
- Black or Silver
- 16" or 28" vertical poles
- Multiple mounting interfaces
- Tamper-proof pivot for monitor security available
- Height Adjustable Pivot



**Multi Adjustable**



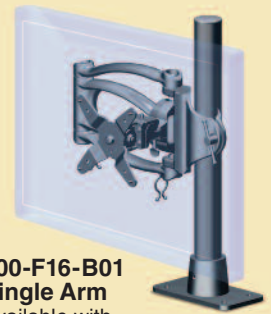
**“Quick Release” Pivot**



**Height Adjustable Pivot**

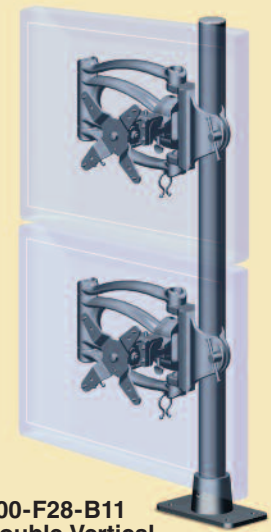
Ergotech Group’s single/dual flat panel monitor arms are the #1 choice for single or dual monitor users.

- Easy conversion from single to dual using the same base unit.
- Arm “nests” to save space in tight situations.
- Comes fully assembled with tool-less adjustments.



**200-F16-B01  
Single Arm**

Available with slatwall, flush, grommet and desk clamp models



**200-F28-B11  
Double Vertical**

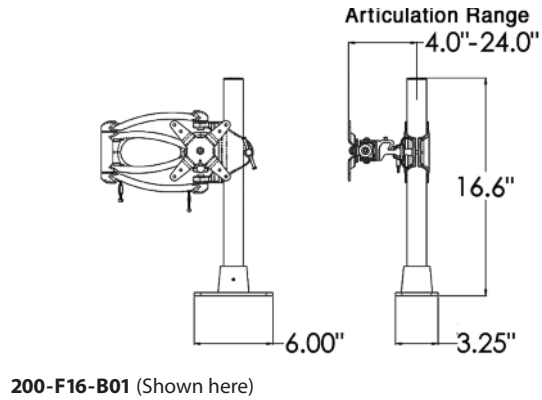
Available with slatwall, flush, grommet and desk clamp models

**Additional configurations  
available upon request**

**200-S16-B01 Single Arm with slatwall mount**  
**200-G16-B01 Single Arm with grommet mount**  
**200-F16-B01 Single Arm with flush mount**  
**200-C16-B01 Single Arm with desk clamp**

**SPECS**

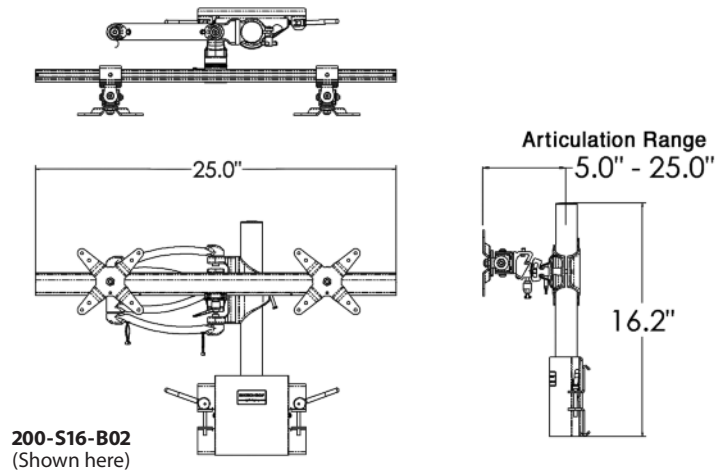
LCD Weight: Up to 25 lbs. each  
 Rotation: 360°  
 Tilt: 20°+/10°-  
 Color: Black or Silver



**200-S16-B02 Dual Horizontal with slatwall mount**  
**200-G16-B02 Dual Horizontal with grommet mount**  
**200-F16-B02 Dual Horizontal with flush mount**  
**200-C16-B02 Dual Horizontal with desk clamp**

**SPECS**

LCD Weight: Up to 25 lbs. each  
 Rotation: 360°  
 Tilt: 20°+/10°-  
 Color: Black or Silver



**200-S28-B11 Dual Vertical with slatwall mount**  
**200-G28-B11 Dual Vertical with grommet mount**  
**200-F28-B11 Dual Vertical with flush mount**

**SPECS**

LCD Weight: Up to 25 lbs. each  
 Rotation: 360°  
 Tilt: 20°+/10°-  
 Color: Black or Silver

