

Water-Based Coolant Pumping Unit

Liebert XDP-W Water Pumping Unit

Liebert XDP-W Pumping Unit is part of the highly energy-efficient, high heat density Liebert XD cooling system, designed to support Liebert XDR-W rackcooler, and Liebert XDK-W rack enclosure. Liebert XDP-W is an isolating interface between the pumped water and the building chilled water system. Liebert XDP-W may also be used with other brands of rack cooling equipment.



Flexibility:

- Includes enclosure, pumps, heat exchanger, expansion tank, controls, valves and piping as a packaged unit for easy installation.
- Allows for scalability for future growth.
- Offers 60 Hz and 50 Hz models.

Higher Availability:

- Maintains the coolant at a temperature always above the actual dewpoint, to prevent condensation.
- Isolates the chilled water circuit from the XDK-W or XDR-W water circuit.

Lowest Total Cost of Ownership:

- Operates with energy efficient redundant pumps.
- Uses floor space efficiently.

Ideally Suited For:

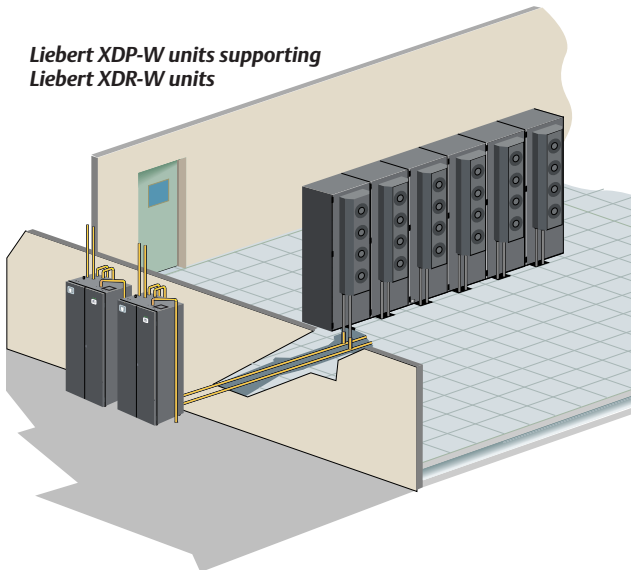
- Liebert XDR-W and Liebert XDK-W systems.
- Other brands of water-cooled rack equipment.

Specifications

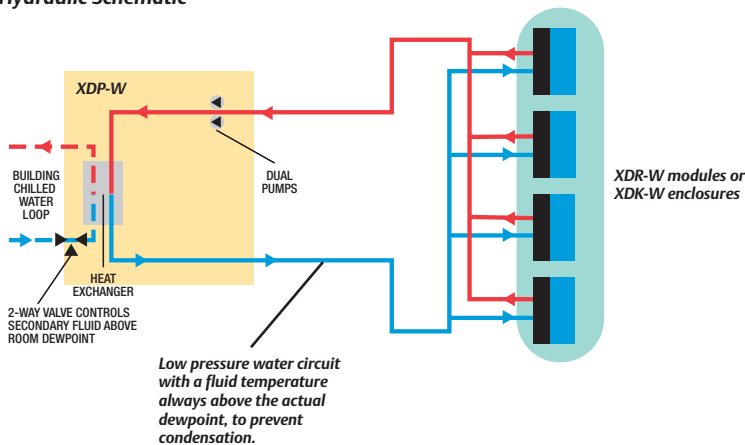
Liebert XDP-W Coolant Distribution Unit

Nominal Capacity	100 kW
Input Voltage	460 V, 3 ph, 60 Hz 400 V, 3 ph, 50 Hz 208 V, 3 ph, 60 Hz
Full load amps	4.3A @ 400V 2.5A @ 460V
Height, unit only	78" (1981 mm)
Width	38" (965 mm)
Depth	35" (889 mm)
Weight, unit only	750 lbs (340 kg)

Liebert XDP-W units supporting Liebert XDR-W units



Hydraulic Schematic



While every precaution has been taken to ensure accuracy and completeness in this literature, Liebert Corporation assumes no responsibility, and disclaims all liability for damages resulting from use of this information or for any errors or omissions.

© 2007 Liebert Corporation. All rights reserved throughout the world. Specifications subject to change without notice.

All names referred to are trademarks or registered trademarks of their respective owners.

© Liebert and the Liebert logo are registered trademarks of the Liebert Corporation.

SL-16900 (R10/07) Printed in USA

Emerson Network Power.

The global leader in enabling Business-Critical Continuity™.

- AC Power
- Connectivity
- DC Power
- Embedded Computing
- Embedded Power
- Monitoring
- Outside Plant
- Power Switching & Controls
- Precision Cooling
- Racks & Integrated Cabinets
- Services
- Surge Protection

Business-Critical Continuity, Emerson Network Power and the Emerson Network Power logo are trademarks and service marks of Emerson Electric Co. ©2007 Emerson Electric Co.