

M8™

Monitor Arm



The Best of Both Worlds

Featuring incredible weight capacity in a sleek, slim profile, the M8 monitor arm is the perfect fusion of style and strength.

Through its unique construction, the M8 accommodates virtually any single- or dual-monitor configuration weighing up to 40 pounds. And unlike other high-capacity monitor arms, whose bulky designs restrict their performance, the M8 offers effortless adjustment and flawless ergonomic function.



M8 for Single Monitors

The M8's high-performance design easily accommodates heavy monitors, but also provides the flexibility to support monitors weighing as little as eight pounds. Precision engineering makes it all possible, as the M8 features an internal counterbalance that easily adjusts to provide the right amount of support.

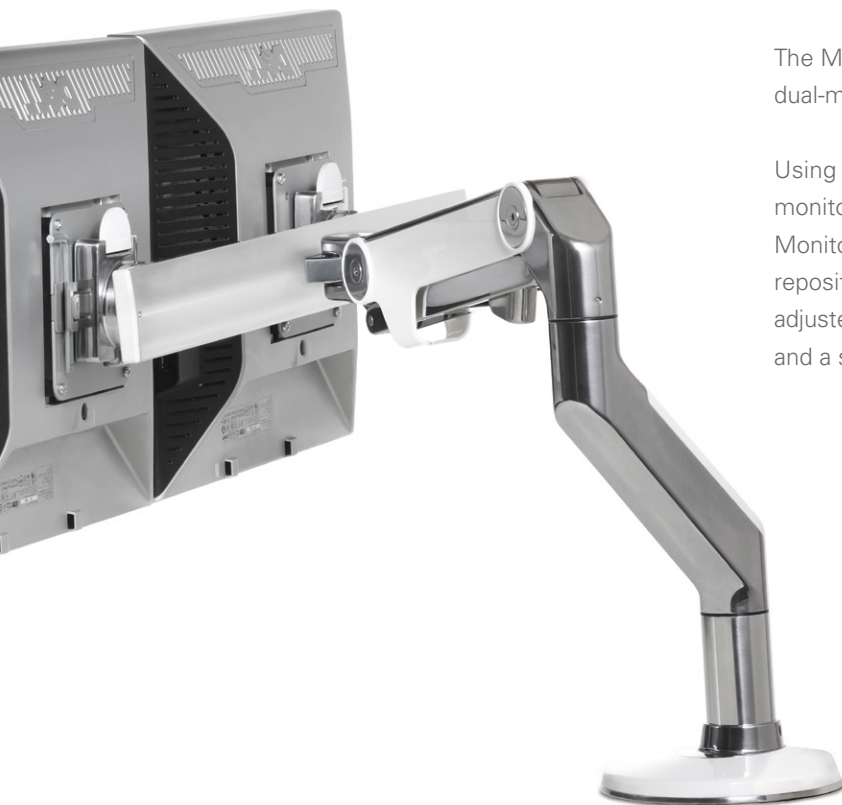
As a result, the M8 is versatile enough to meet the ever-changing demands of tomorrow's workplace.



M8 for Dual Monitors

The M8's extreme weight capacity makes it ideal for supporting dual-monitor applications.

Using an optional crossbar support, the M8 accommodates two monitors—each weighing up to 20 pounds—arranged side-by-side. Monitors mounted to the crossbar adjust simultaneously for easy repositioning and excellent ergonomics. Plus, each monitor can be adjusted independently via a fine-tune adjuster for perfect alignment and a smooth aesthetic.





Features

- Modular design features interchangeable links to accommodate most applications
- Built-in security system provides effective theft-deterrent for public areas
- Humanscale's Quick Release ball joint facilitates fast and easy monitor installation and removal
- Built-in fine-tune adjustment ensures dual monitors line up perfectly
- Optional Notebook Holder accommodates laptops 9" – 14" in length
- Optional 12" links provide greater adjustability and flexibility
- 180° stop mechanism prevents wall damage from over-rotation
- Integrated cable management system hides cable clutter for improved organization and aesthetics

Specifications

- Accommodates virtually any single monitor from 8 – 40 lbs or dual monitors up to 20 lbs each
- Arm reach: 22"
- Height adjustment range: 11.5"
- Mount options: Clamp Mount, Bolt-Through Mount, Universal Slatwall Mount, Wall Stud Mount
- Finish options: Polished Aluminum with White accents, Silver with Gray accents
- May contribute to a number of valuable LEED credits
- 10-year, 24/7 warranty



Creating a more comfortable place to work