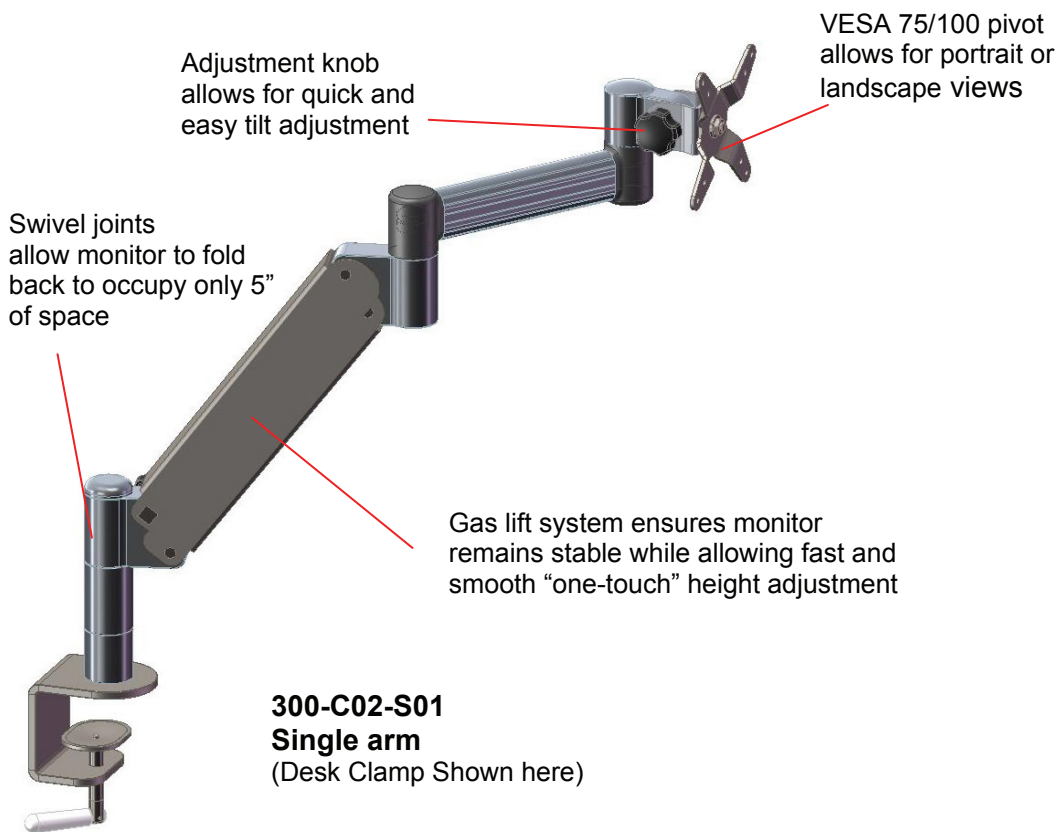


# ONE-TOUCH SYSTEMS

## Quick and easy height adjustment



## Product Highlights

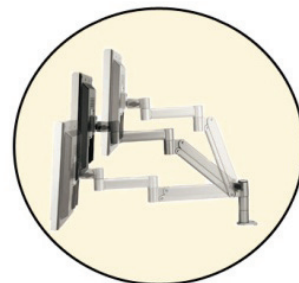
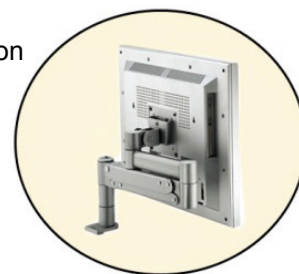
- Special One-Touch system ensures LCD screen(s) remain secured while allowing fast and easy height adjustments
- Instant fingertip adjustment of monitor height and position
- Multiple cable management system options
- Easy adjustment of monitor without tools
- Ergonomically designed for adjustment in any position
- Easy installation for home or office

## Product Specifications

- Vertical height range of 11" up or down
- Folds up to occupy just 5" of space
- 75mm and 100mm VESA compatible
- Holds monitors up to 25 lbs. each
- 5 Year Warranty

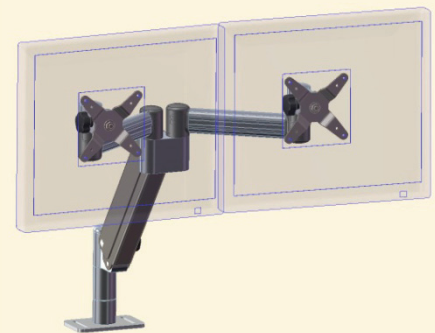
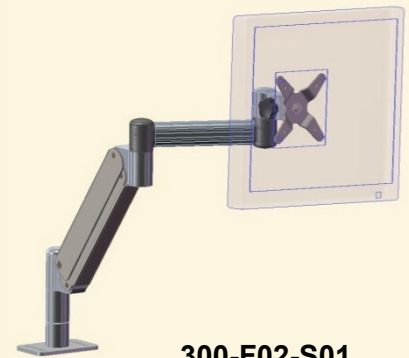
## Product Options

- Black or Silver
- Desk clamp, grommet, flush and wall mounting options
- Single or dual options



Ergotech Group's One-Touch flat panel monitor arms are the #1 choice for single and dual monitor users.

- Instant fingertip "One-Touch" adjustment of monitor height and position
- Holds multiple monitor sizes and weights with minimal adjustment
- Allows total control of monitor positions for easy viewing
- Reduces desk-top clutter and frees up space



- 300-F02-S01 Single arm with flush mount**
- 300-G02-S01 Single arm with grommet mount**
- 300-C02-S01 Single arm with desk clamp**
- 300-W02-S01 Single arm with wall mount**

**SPECS**

LCD Weight: Up to 25 lbs.  
 Rotation: 360°  
 Tilt: 90°+/45°-  
 Color: Black or Silver



Clamp

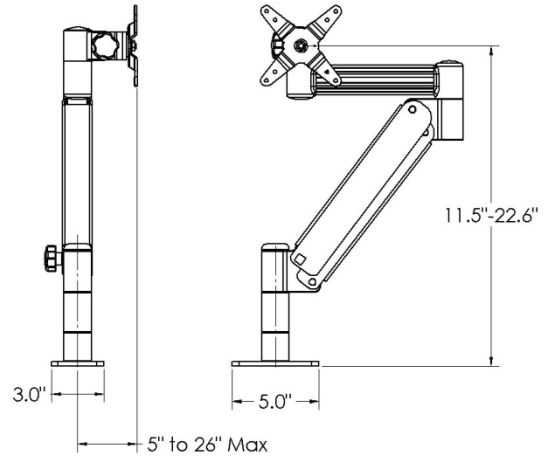
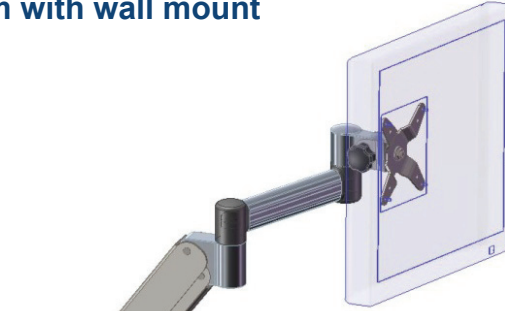


Grommet



Flush

Wall Mount



- 300-F02-S02 Dual arm with flush mount**
- 300-G02-S02 Dual arm with grommet mount**
- 300-C02-S02 Dual arm with desk clamp**
- 300-W02-S02 Dual arm with wall mount**

**SPECS**

LCD Weight: Up to 25 lbs. each  
 Rotation: 360°  
 Tilt: 90°+/45°-  
 Color: Black or Silver



Clamp



Grommet



Flush

Wall Mount

