

WM Series Wall Mount Enclosures

WM Series Wall Mount/Swing Out Enclosures provide 19" EIA 310-D compliant mounting in a distribution enclosure. A simple finger "push-pull" type catch located inside the cabinet opens the 18.00" deep center swing section. The center swing out feature provides outstanding front and rear access to cables and equipment.

The reversible cabinet mounting design makes left or right-hand swing out possible. This convenient feature also conserves valuable wall space. Knockouts sized for 1", 2", and 3" conduit and fittings are located at the top, bottom and rear for easy wiring, installation and maintenance.

Front and rear sections lock independently for added security.

Note: GL2418WM, GL24WM, GL36WM and GL48WM are configured with a plexiglas door and vented sides. Two pairs of 12-24 tapped 19" EIA rails are provided with each enclosure.

STOCK COLOR: Black



**Equipment
mounting
hardware
included**

Listed to UL60950-1

WM SERIES WALL MOUNT/SWING OUT Enclosures

PART NO.	DESCRIPTION
GL2418WM	Dimensions: 24"H x 21.25"W x 18"D Wt. cap.: 150 lbs. Rack spaces: 12 RMU Shipping wt.: 85 lbs. Plexiglas door
GL2418WMS	Same as GL2418WM except solid door
GL24WM	Dimensions: 24"H x 21.25"W x 24.50"D Wt. cap.: 150 lbs. Rack spaces: 12 RMU Shipping wt.: 95 lbs. Plexiglas door
GL24WMS	Same as GL24WM except solid door
GL36WM	Dimensions: 36"H x 21.25"W x 24.50"D Wt. cap.: 250 lbs. Rack spaces: 19 RMU Shipping wt.: 125 lbs. Plexiglas door
GL36WMS	Same as GL36WM except solid door
GL48WM	Dimensions: 48"H x 21.25"W x 24.50"D Wt. cap.: 300 lbs. Rack spaces: 25 RMU Shipping wt.: 160 lbs. Plexiglas door
GL48WMS	Same as GL48WM except solid door

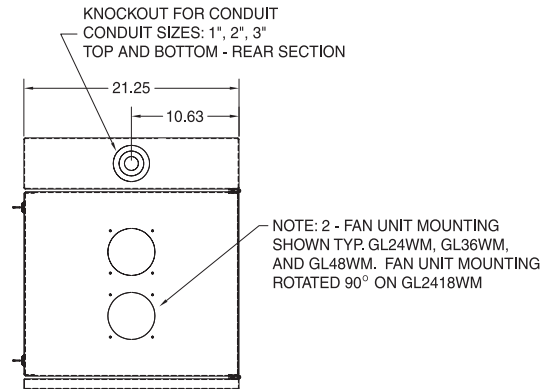
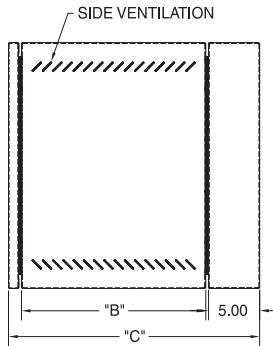
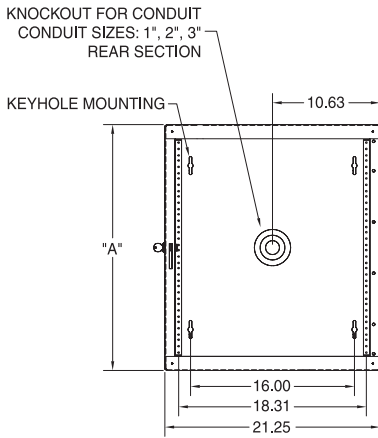
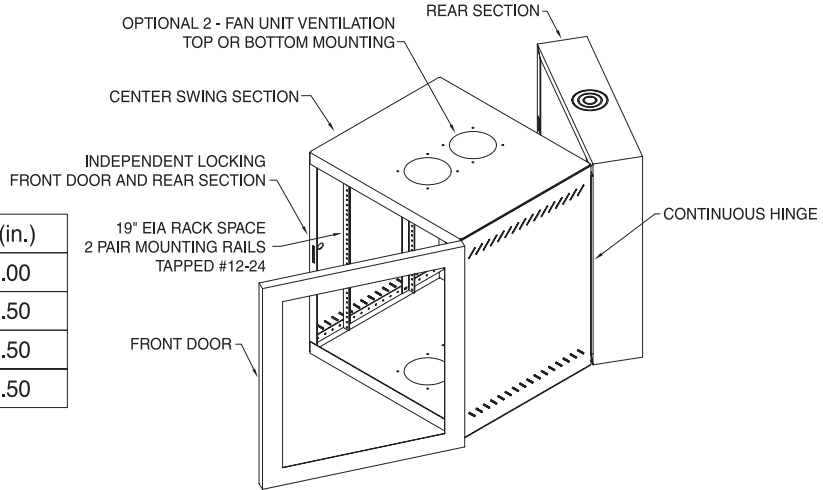
**Maximum weight capacities at minimal deflection.*

"The Industry Standard"
Our Best Selling Wall Mount Enclosure!



WM Series Wall Mount Enclosures

WM SERIES WALL MOUNT/SWING OUT Enclosures

P/N	A (in.)	B (in.)	C (in.)
GL2418WM	24.00	11.25	18.00
GL24WM	24.00	18.00	24.50
GL36WM	36.00	18.00	24.50
GL48WM	48.00	18.00	24.50



ACCESSORIES

PART NO.	DESCRIPTION
7217WS	Fan assembly w/fan guards and two 75 CFM fans
7206-FM	Stationary front mount shelf – 17.25"W x 18.00"D
7206-EIA	Stationary shelf – 17.468"W x 18.00"D
7206-SL	Sliding shelf – 16.343"W x 17.50"D
7206-14	Stationary shelf 17.50"W x 14.00"D <i>(Recommended for GL2418WM)</i>
7219	6 position power strip w/circuit breaker & 15 ft. cord for 19" mounting
 7219-SR14	14 position (6 front/8 back) power strip w/circuit breaker and surge suppressor for 19" mounting
7219-20AR	6 position power strip w/circuit breaker, 20 amp
CBB-19	Copper bus bar, 19" rack mounted (isolated)
 FFK1	Four fan filters (works with the WM, WS and WD Series of Wall Mount Products)