

KS fiberglass wallmount enclosure



Material:

- Enclosure and door: Fiberglass-reinforced unsaturated polyester
- Mounting panel: Carbon steel
- Foamed-in PU seal
- For KS with viewing window: Glazed acrylic, 3.0 mm with all-round rubber cable clamp strip

Surface finish:

- Enclosure and door: Dyed plastic with no after-treatment
- Mounting panel: Zinc-plated

Protection rating:

- KS without viewing window: Complies with NEMA 4 (IP 66 to EN 60 529/10.91)
- KS with viewing window: Complies with NEMA 4 (IP 56 to EN 60 529/10.91)

Color:

Similar to RAL 7035

Configuration:

- Enclosure with hinged door, of all-round solid construction, 3 mm double-bit lock
- For single-door enclosures: R/h door hinge, may be swapped to opposite side by rotating the enclosure

- For two-door enclosures: Lockable door on right

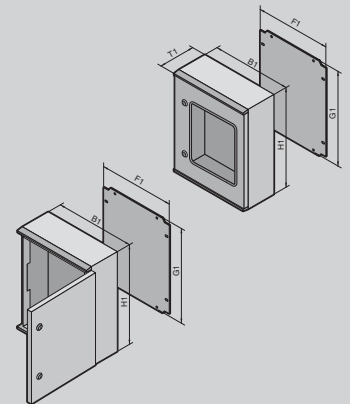
- Mounting panel
- Twin seal on the top and bottom edges of the door as integral rain protection strip
- Press-fitted C sections at the sides for infinitely variable mounting panel depth adjustment
- 1400.500 additionally with removable center bar in the enclosure

Maximum ambient temperature:

-22 - 167° F (-30 - 75° C)

Detailed drawings:

Available



Depth: 6 - 8" (150 - 200 mm), Height: 12 - 24" (300 - 600 mm)

Height (H1) inches (mm)	PU	12 (300)	14 (350)	16 (400)	16 (400)	24 (600)	Page
Width (B1) inches (mm)		8 (200)	10 (250)	12 (300)	16 (400)	16 (400)	
Depth (T1) inches (mm)		6 (150)	6 (150)	8 (200)	8 (200)	8 (200)	
Panel height (G1) inches (mm)		10 (250)	12 (300)	14 (350)	14 (350)	22 (550)	
Panel width (F1) inches (mm)		6 (145)	8 (195)	10 (245)	14 (345)	14 (345)	
Panel thickness ga (mm)		14 (2.0)	14 (2.0)	14 (2.0)	12 (2.5)	12 (2.5)	
Part No.	Without viewing window	1	1423.500	1432.500	1434.500	1444.500	1446.500
	With viewing window	1	-	-	-	1448.500	1449.500
Door(s)	1	1	1	1	1	1	
Weight lb (kg)		7 (3)	9 (4)	13 (6)	17 (8)	25 (12)	

Accessories

Mounting panel adjustment bracket	4				1481.000		638
Wallmount bracket	4				1483.010		630

Lock systems

Standard double-bit lock insert may be exchanged for version E lock inserts (see page 597) and 1490.010 ergoform lock system (see page 605)

KS fiberglass wallmount enclosure

Depth: 8 - 12" (200 - 300 mm), Height: 20 - 39" (500 - 1000 mm)

Height (H1) inches (mm)	PU	24 (600)	20 (500)	32 (800)	39 (1000)	39 (1000)	Page
Width (B1) inches (mm)		24 (600)	20 (500)	24 (600)	32 (800)	39 (1000)	
Depth (T1) inches (mm)		8 (200)	12 (300)	12 (300)	12 (300)	12 (300)	
Panel height (G1) inches (mm)		22 (550)	18 (450)	30 (750)	37 (950)	37 (950)	
Panel width (F1) inches (mm)		22 (545)	16 (417)	20 (517)	28 (717)	36 (917)	
Panel thickness ga (mm)		12 (2.5)	12 (2.5)	11 (3)	11 (3)	11 (3)	
Part No.	Without viewing window	1	1466.500	1453.500	1468.500	1480.500	1400.500
	With viewing window	1	1467.500	1454.500	1469.500	1479.500	–
Door(s)	1	1	1	1	1	2	
Weight lb (kg)		35 (16)	28 (13)	57 (26)	86 (39)	110 (50)	

Accessories

Mounting panel adjustment bracket	4				1481.000		638
Wallmount bracket	4				1483.010		630

Lock systems

Standard double-bit lock insert may be exchanged for version E lock inserts (see page 597) and 1490.010 ergoform lock system (see page 605)

Note:

Long-term exposure to UV radiation (sunlight) in conjunction with wind and rain may change the finish visually. The fiberglass strands may become visible on unprotected surfaces. This does not impair the protection of the installed electrical components in any way. All other finishes may also be altered by ultraviolet radiation.

If the enclosure cannot be protected from UV radiation with a sun canopy we recommend that the surface be painted with a PUR paint. Older enclosures where the finish already reveals visible fiberglass portions can also be painted after thorough cleaning. All enclosures can be supplied painted in RAL colors. For outdoor applications, we recommend pale color shades.